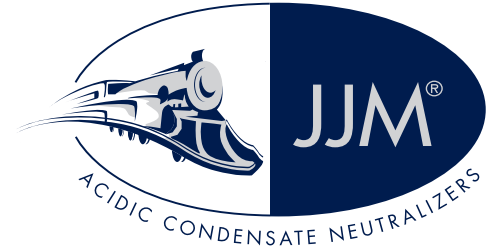
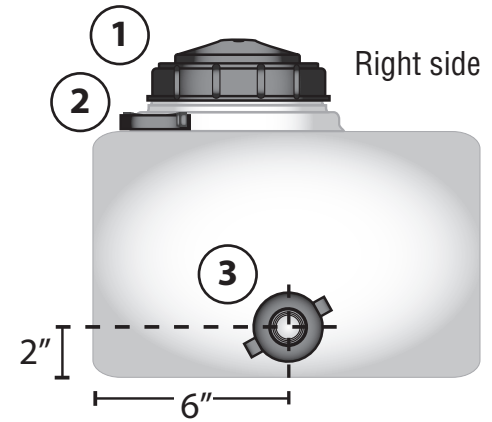
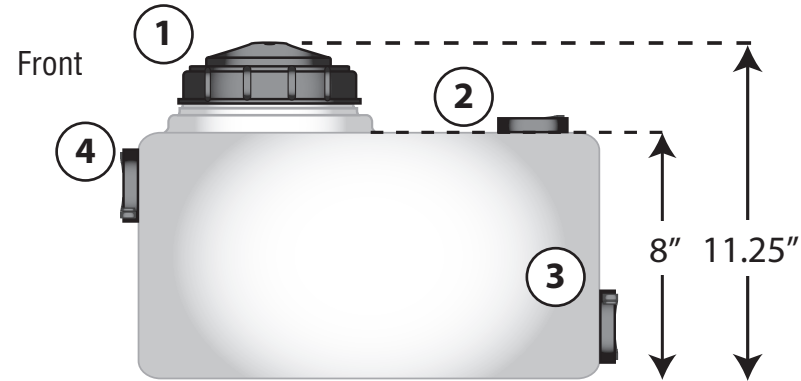
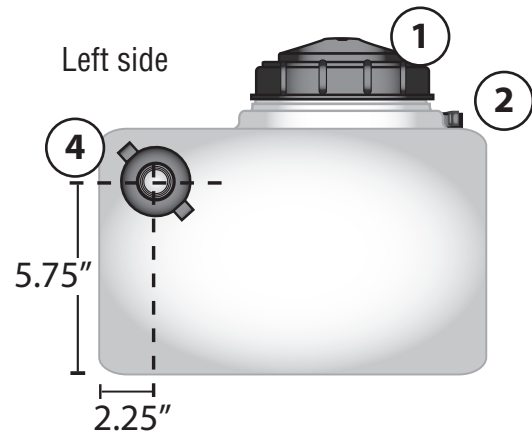
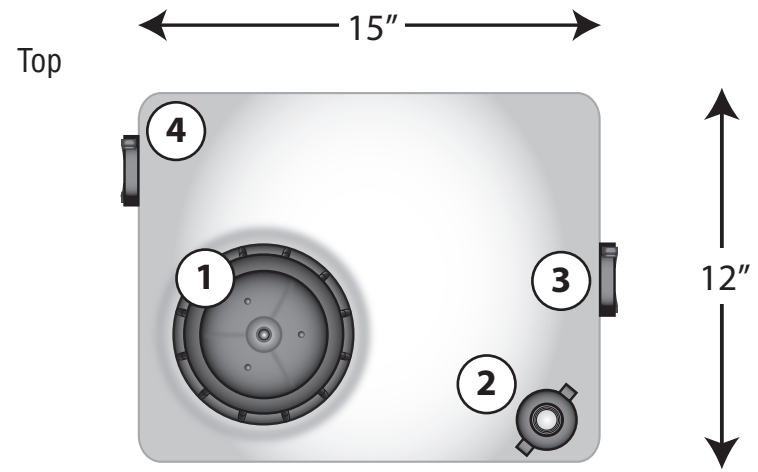


**NB-6** - Condensate PH Treatment Tank



<b>Pellet Weight</b>
<b>31.5#</b>



Ratings & Dimensions (in inches)						
Model	MBH	GPH	1	2	3	4
NB-4	6000	45	Cap 4 1/2" port	Vent 3/4" port	Inlet 1" port	Outlet 1" port