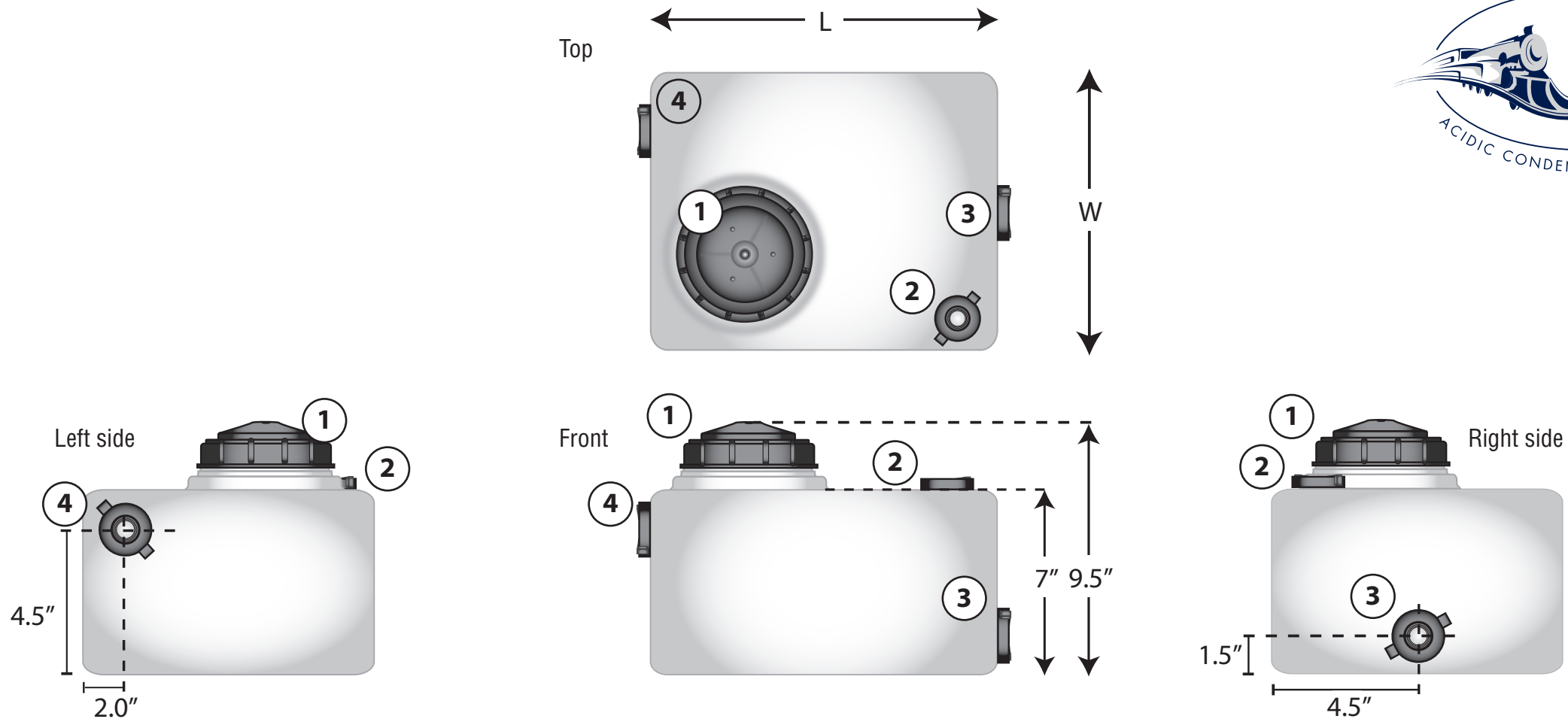
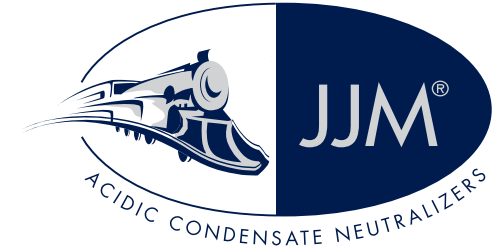


# NB-2 Condensate Neutralizing Tank - Features, Ratings and Dimensions



Ratings & Dimensions (in inches)						
Model	MBH	L	W	H	1	2
NB-2	2000	15	9	7	CAP 4.5"	VENT PORT 1/2"

3	4
INLET PORT .75"	OUTLET PORT .75"