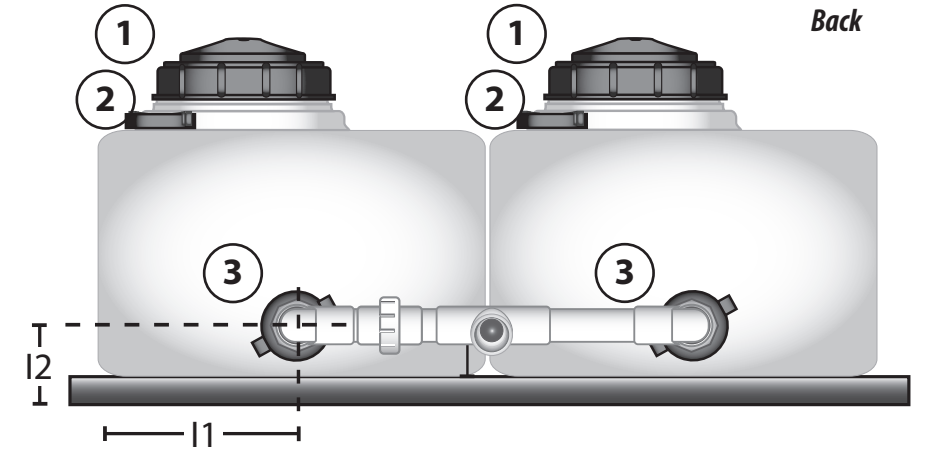
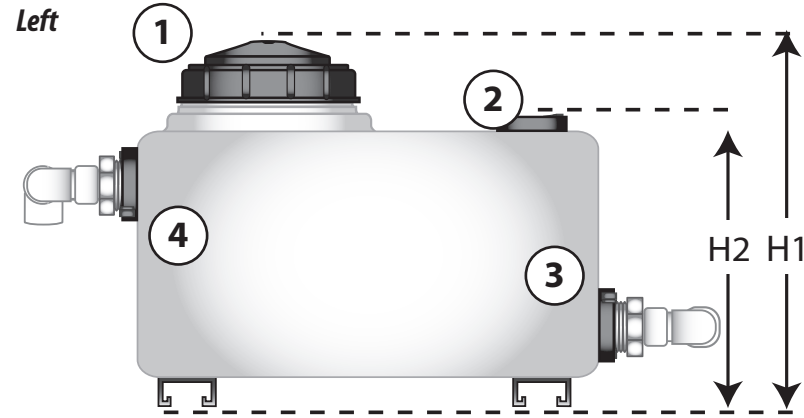
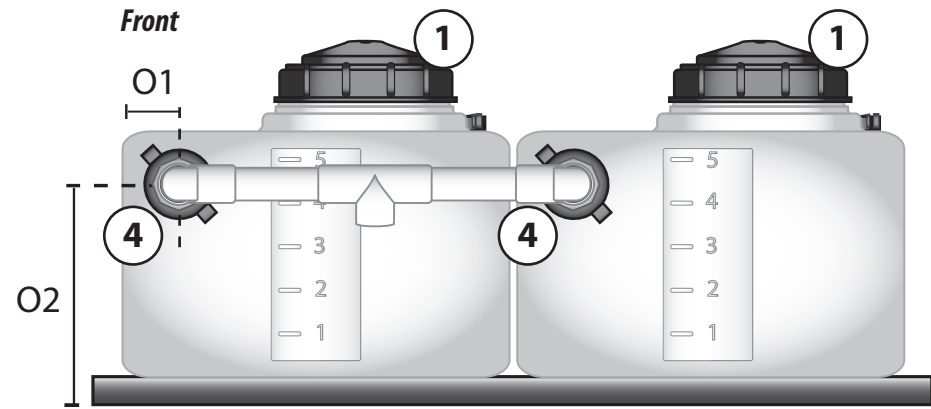
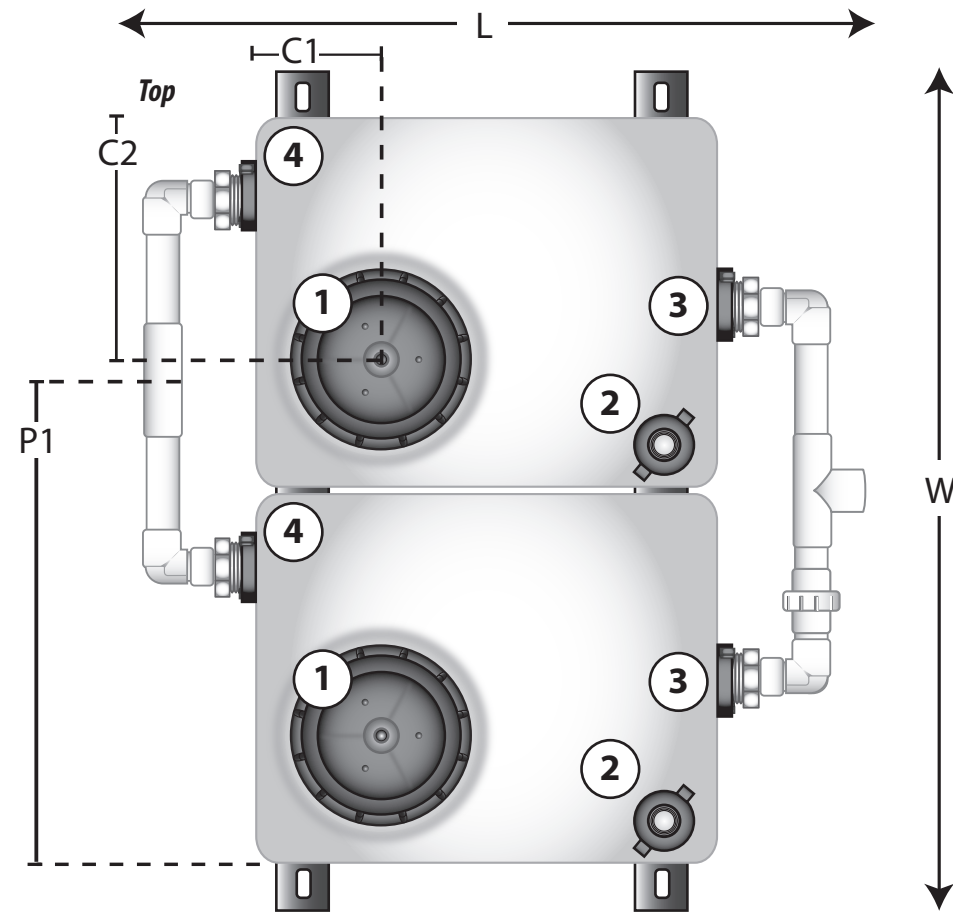


Model	Pellet Weight
NB-9	25.0# / each tank



Ratings & Dimensions (in inches)																	
Model	MBH	GPH	L	W	H1	H2	①	C1	C2	②	P1	③	I1	I2	④	O1	O2
NB-9	9,000	68	23 1/2	27 3/4	12	9.5	Caps 5" port	4 7/8	7 7/8	Vent 3/4" port	14 3/4	Inlets 1" port	6	2 1/4	Outlets 1" port	2 1/4	6 1/2