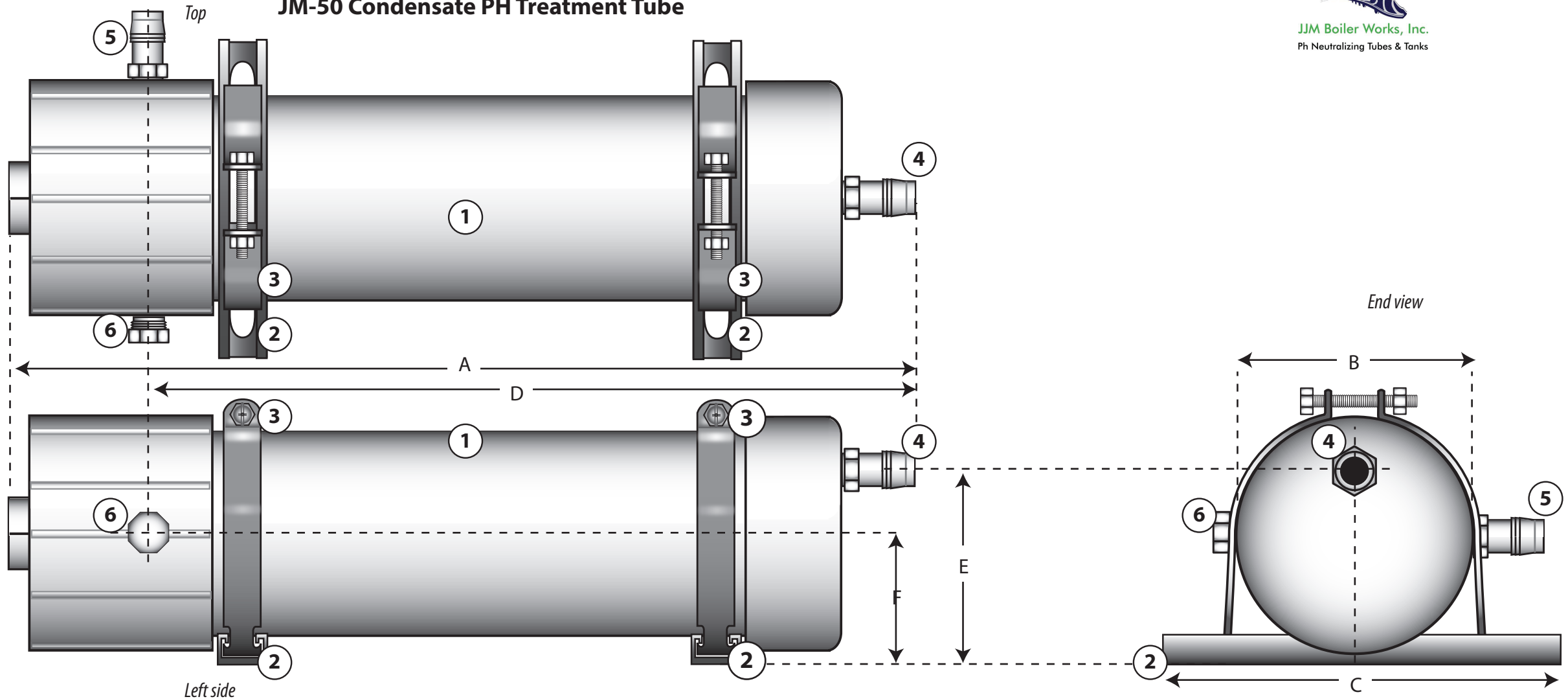




JJM Boiler Works, Inc.
Ph Neutralizing Tubes & Tanks

JM-50 Condensate PH Treatment Tube



Ratings & Dimensions (in inches)								
Model	MBH	GPH	A	B	C	D	E	F
JM-50	5000	40	28 1/2	7 3/16	10	24	7 1/2	4 1/2

Item	Description
1	PVC tubing filled with MGO pellets
2	Channel strut mounts
3	Galvanized strut clamps, bolts and nuts
4	Condensate outlet hose barb fitting: 1" hose barb x 3/4" NPT
5	Condensate inlet hose barb fitting: 1" hose barb x 3/4" NPT
6	Plugged - alternate location for condensate inlet hose barb fitting