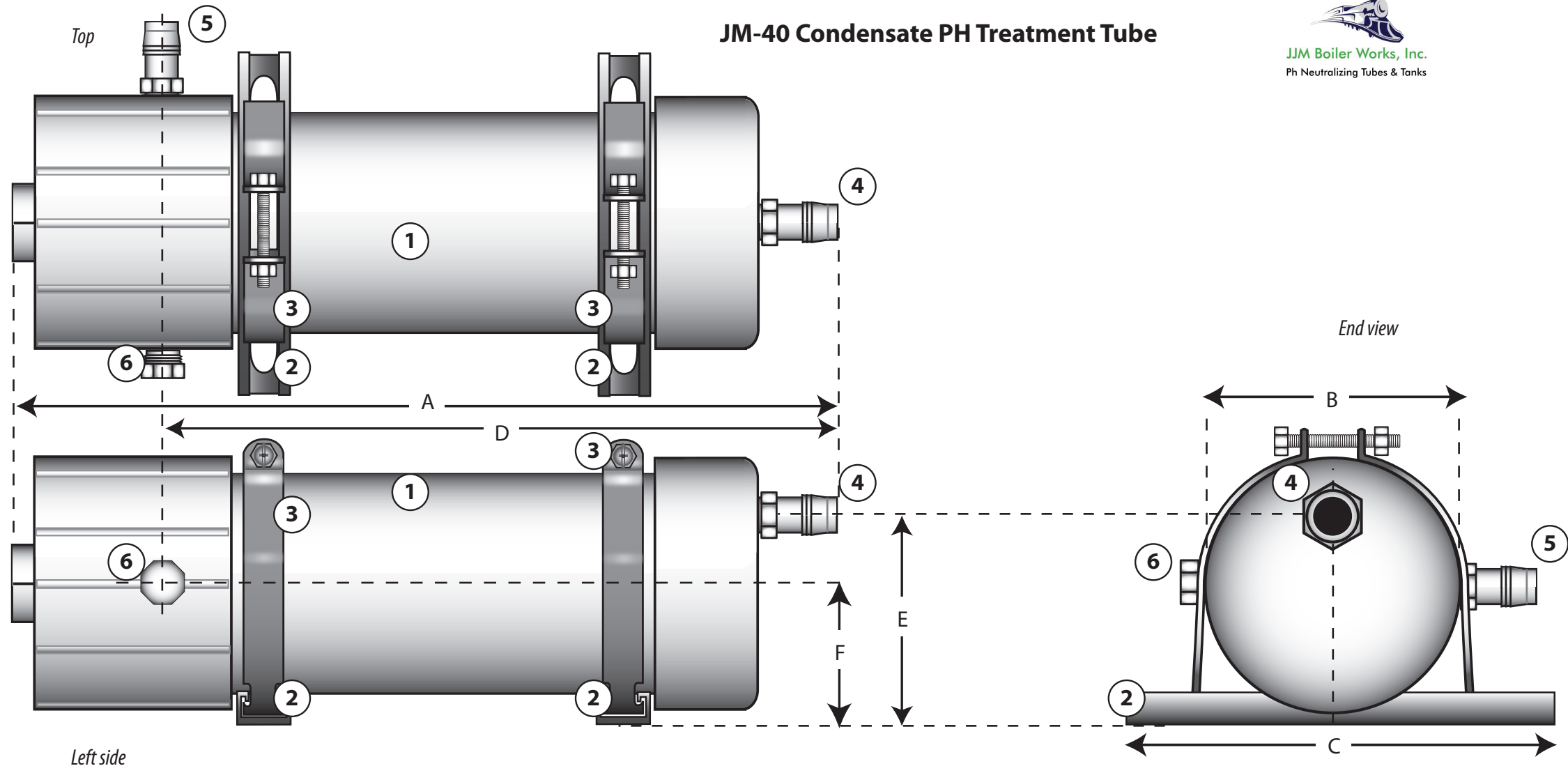




JJM Boiler Works, Inc.
Ph Neutralizing Tubes & Tanks

JM-40 Condensate PH Treatment Tube



Left side

Ratings & Dimensions (in inches)								
Model	MBH	GPH	A	B	C	D	E	F
JM-40	4000	32	22 1/2	7 3/16	10	19 1/4	7 1/2	4 1/2

Item	Description
1	PVC tubing filled with 1/2" and 3/4" aggregate calcium carbonate
2	Channel strut mounts
3	Galvanized strut clamps, bolts and nuts
4	Condensate outlet hose barb fitting: 1" hose barb x 3/4" NPT
5	Condensate inlet hose barb fitting: 1" hose barb x 3/4" NPT
6	Plugged - alternate location for condensate inlet hose barb fitting