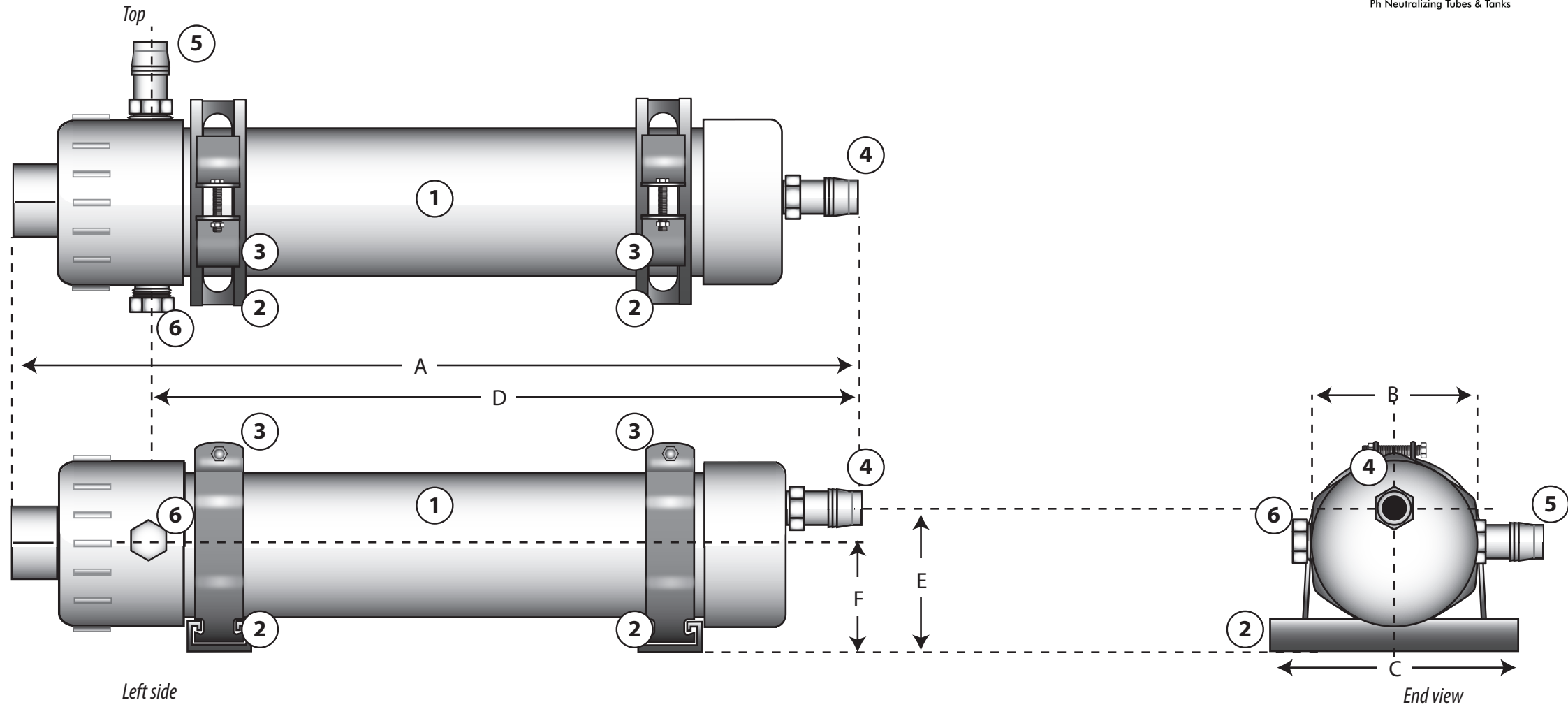




JJM Boiler Works, Inc.
Ph Neutralizing Tubes & Tanks

JM-30 Condensate PH Treatment Tube



Left side

End view

Ratings & Dimensions (in inches)								
Model	MBH	GPH	A	B	C	D	E	F
JM-30	3000	24	24 1/2	5	6	21	4 1/2	3 1/8

Item	Description
1	PVC tubing filled with MGO pellets
2	Channel strut mounts
3	Galvanized strut clamps, bolts and nuts
4	Condensate outlet hose barb fitting: 3/4" hose barb x 3/4" NPT
5	Condensate inlet hose barb fitting: 3/4" hose barb x 3/4" NPT
6	Plugged - alternate location for condensate inlet hose barb fitting