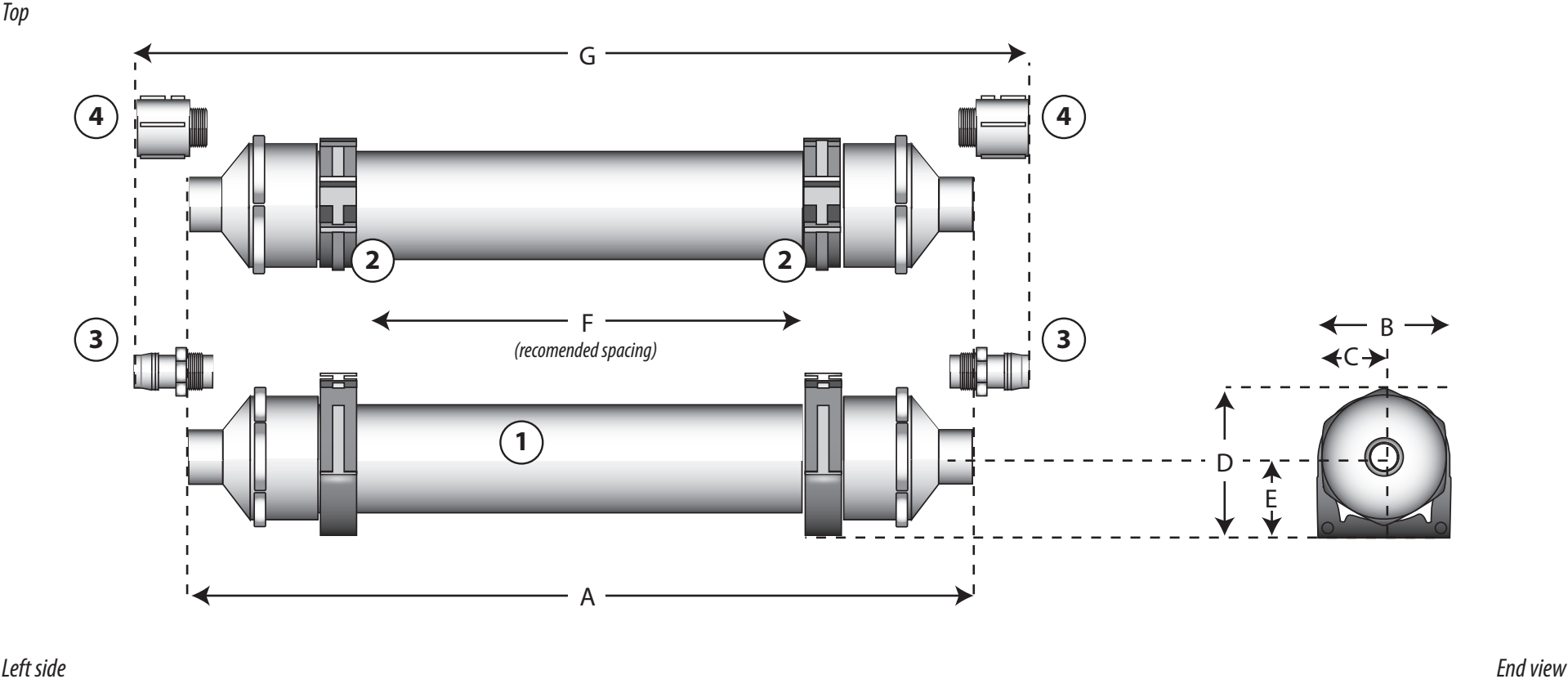


JM-3 Condensate PH Treatment Tube



Ratings & Dimensions (in inches)									
Model	MBH	GPH	A	B	C	D	E	F	G
JM-3	300	2.4	19 1/2	2 3/4	1 3/8	3 1/2	1 7/8	9 1/2	21 1/2

1	PVC tubing filled with MGO pellets	3/4" hose barb x 1/2" NPT --or-- 3/4" PVC x 1/2" NPT (both supplied)
2	Clamp-on support brackets	
3	Condensate hose barb fitting	
4	PVC Socket Fitting	