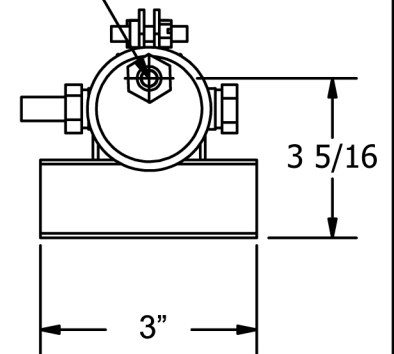
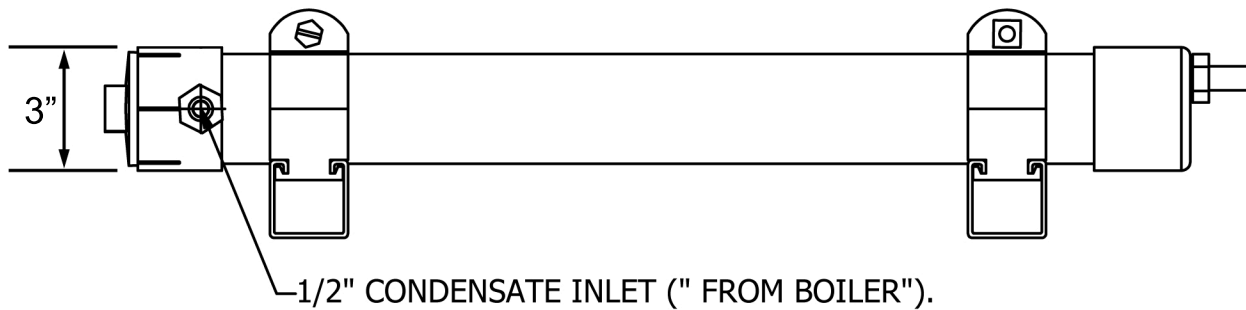


1/2" CONDENSATE OUTLET ("TO SEWER DRAIN").



NOTE:

ALL DIMENSIONS SHOWN ARE APPROXIAMTE AND MAY VARY DUE TO MANUFACTURING PROCESS TOLERANCE.

PH NEUTRALIZER		REVISION #:
600 MBH , 3 GPH		
DRAWN BY:	PART No.	
DATE DRAWN:	JM-6	