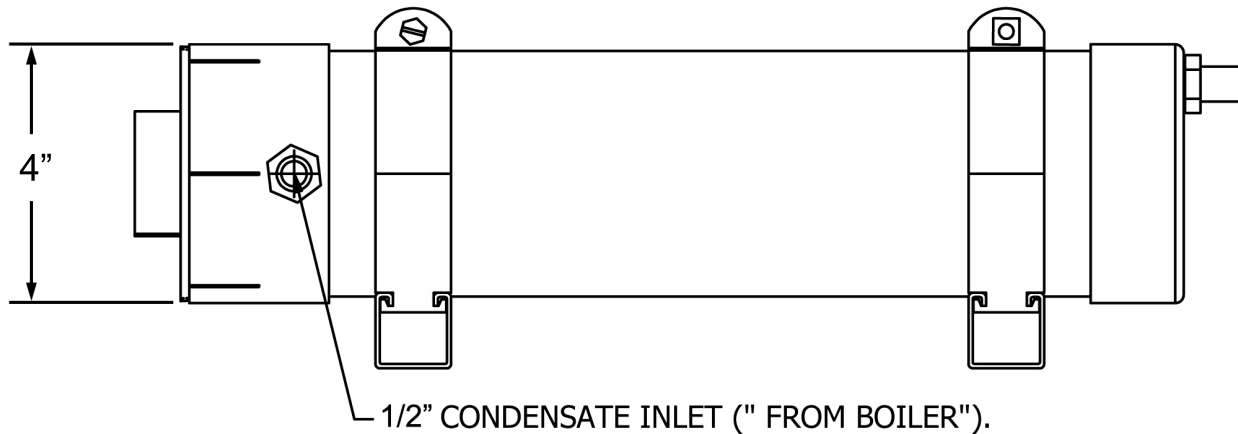
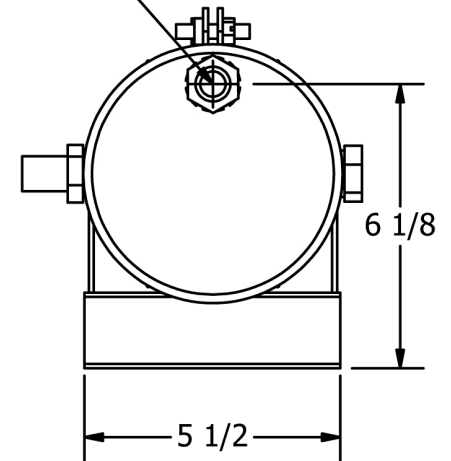


1/2" CONDENSATE OUTLET (" TO SEWER DRAIN").



1/2" CONDENSATE INLET (" FROM BOILER").



NOTE:

ALL DIMENSIONS SHOWN ARE APPROXIMATE AND MAY VARY DUE TO MANUFACTURING PROCESS TOLERANCE.

<b>PH NEUTRALIZER</b>		REVISION #:
<b>3000 MBH , 8 GPH</b>		
DRAWN BY:	PART No.	
DATE DRAWN:		
		JM-30