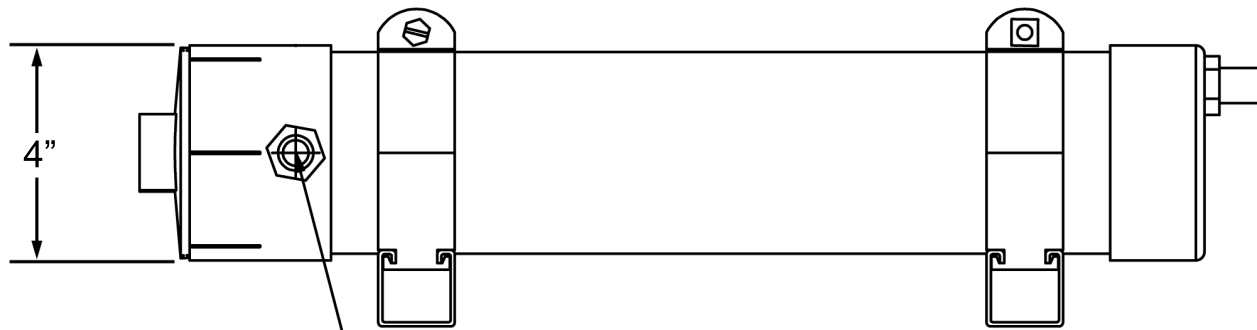
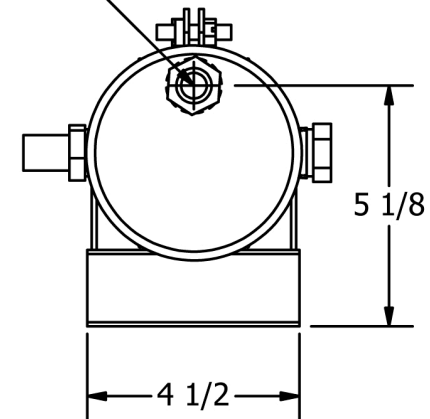


1/2" CONDENSATE OUTLET (" TO SEWER DRAIN").



1/2" CONDENSATE INLET (" FROM BOILER").



NOTE:

ALL DIMENSIONS SHOWN ARE APPROXIAMTE AND MAY VARY DUE TO MANUFACTURING PROCESS TOLERANCE.

PH NEUTRALIZER		REVISION #:
2000 MBH , 6 GPH		
DRAWN BY:	PART No.	
DATE DRAWN:		
		JM-20