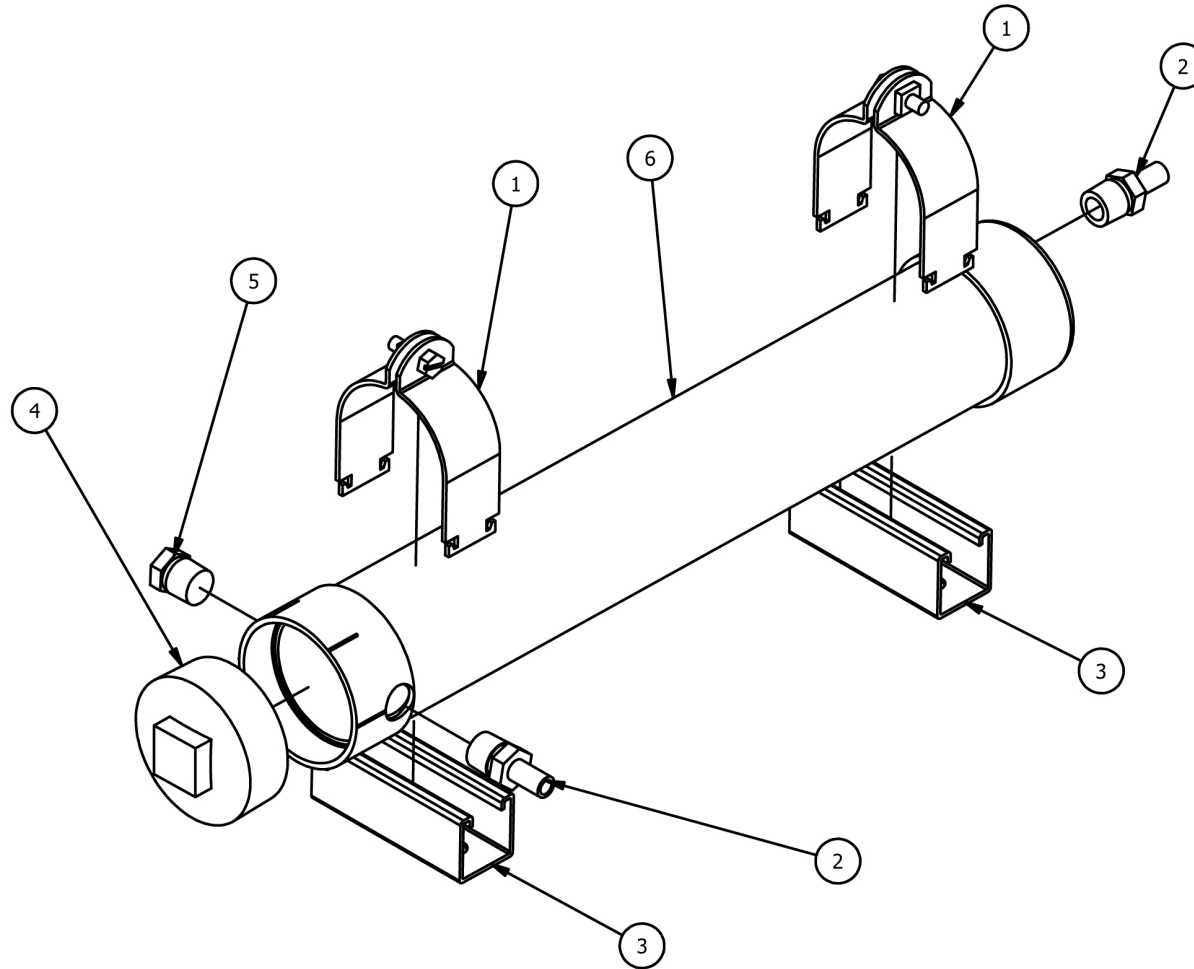


Parts List

ITEM	QTY	PART NUMBER	DESCRIPTION
1	2	JM-10-2	3" STRUT CLAMP
2	2	JM-10-6	1/2" BARB X 1/2" NPT FITTING
3	2	JM-10-7	STRUT CHANNEL - BASE
4	1	JM-10-4	3" PLUG
5	1	JM-10-8	1/2" PLUG
6	1	JM-10-1	MEDIA CHAMBER



PH NEUTRALIZER 1000 MBH , 4 GPH		REVISION #:
DRAWN BY:	PART No.	JM-10
DATE DRAWN:		