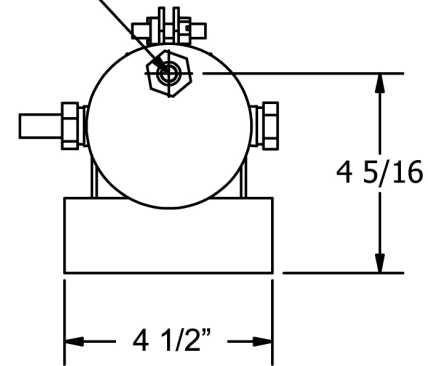
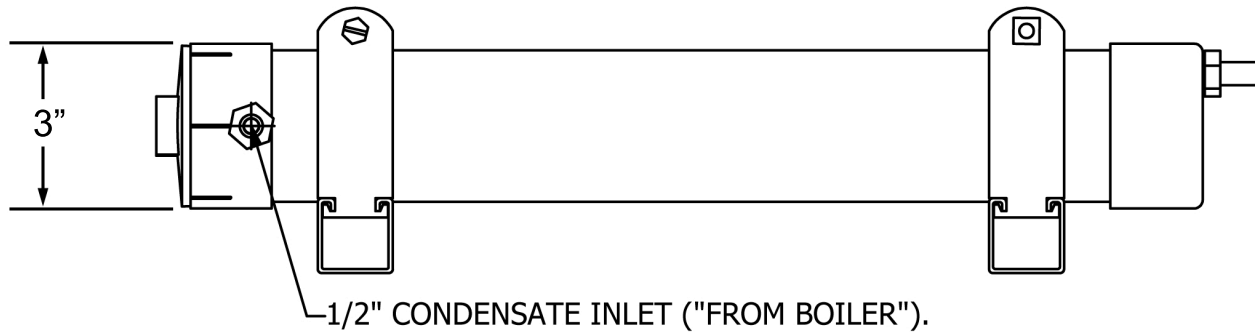


1/2" CONDENSATE OUTLET (" TO SEWER DRAIN").



NOTE:

ALL DIMENSIONS SHOWN ARE APPROXIAMTE AND MAY VARY DUE TO MANUFACTURING PROCESS TOLERANCE.

<b>PH NEUTRALIZER</b>		REVISION #:
<b>1000 MBH , 4 GPH</b>		
DRAWN BY:	PART No.	
DATE DRAWN:		
		JM-10